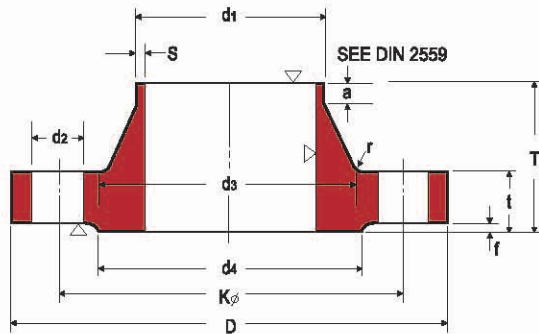
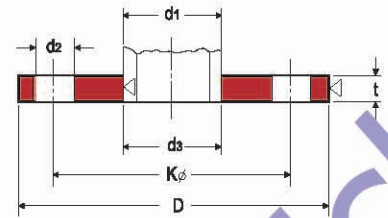


# PN10/10 BAR

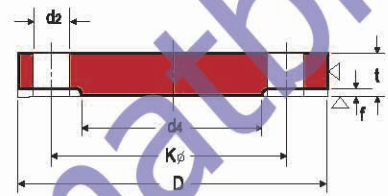
## DIN 2576 SLIP - ON FLANGES DIN 2527 BLIND FLANGES DIN 2632 WELDING NECK FLANGES



WELDING NECK



SLIP-ON/PLATE



BLIND

Hotline: 0936.360.093

Unit:mm

Nominal Bore	Bore	Common Dimension				Hub				Raised Face		Drilling			Approx. Weight(kg)				
		d <sub>1</sub>	D	t			K	T	d <sub>3</sub>	s	r	a	d <sub>4</sub>	f	Number of Bolt	Dia. of Bolt	d <sub>2</sub>	DIN 2632	DIN 2576
10	14 (17.2")	90	14	14	14	60	35	25 28	1.8	4	6	40	2	4	M12	(1/2")	14	0.163	0.580
15	20 (21.3")	95	14	14	14	65	35	30 32	2.0	4	6	45	2	4	M12	(1/2")	14	0.675	0.648
20	25 (26.9")	105	16	16	16	75	38	36 41	2.3	4	6	58	2	4	M12	(1/2")	14	0.947	0.952
25	30 (33.7")	115	16	16	16	85	38	42 45	2.6	4	6	68	2	4	M12	(1/2")	14	1.14	1.14
32	38 (42.4")	140	16	16	16	100	40	52 56	2.6	6	6	78	2	4	M16	(5/8")	18	1.66	1.69
40	44.5 (48.3")	150	16	16	16	110	42	60 64	2.6	6	7	88	3	4	M16	(5/8")	18	1.89	1.86
50	57 (60.3")	165	18	18	18	125	45	72 75	2.9	6	8	102	3	4	M16	(5/8")	18	2.51	2.53
65	76.1")	185	18	18	18	145	45	90	2.9	6	10	122	3	4	M16	(5/8")	18	3.00	3.06
80	88.9")	200	20	20	20	160	50	105	3.2	8	10	138	3	4	M16	(5/8")	18	3.79	3.70
100	108 (114.3")	220	20	20	20	180	52	125 131	3.6	8	12	158	3	8	M16	(5/8")	18	4.20	4.62
125	133 (139.7")	250	22	22	22	210	55	150 156	4.0	8	12	188	3	8	M16	(5/8")	18	5.71	6.30
150	159 (168.3")	285	22	22	22	240	55	175 184	4.5	10	12	212	3	8	M20	(3/4")	23	6.72	7.75
200	216 (219.1")	340	24	24	24	295	62	232 235	5.9	10	16	268	3	8	M20	(3/4")	23	9.50	11.3
250	267 (273")	395	26	26	26	350	68	285 292	6.3	12	16	320	3	12	M20	(3/4")	23	12.5	14.7
300	318	445	26	26	28	400	68	335 344	7.1	12	16	370	4	12	M20	(3/4")	23	14.4	17.6
350	355.6")	505	26	28	30	460	68	385	7.1	12	16	430	4	16	M20	(3/4")	23	20.6	21.4
400	406.4")	565	26	32	32	515	72	440	7.1	12	16	482	4	16	M24	(7/8")	27	27.9	26.1
500	508")	670	28	38	34	620	75	542	7.1	12	16	585	4	20	M24	(7/8")	27	41.1	34.7
600	609.6")	780	28	-	-	725	80	642	7.1	12	18	685	5	20	M27	(1")	30	-	-
700	711.2")	895	30	-	-	840	80	745	8.0	12	18	800	5	24	M27	(1")	30	-	-
800	812.8")	1015	32	-	-	950	90	850	8.0	12	18	905	5	24	M30	(1 1/8")	33	-	-
900	914.4")	1115	34	-	-	1050	95	950	10.0	12	20	1005	5	28	M30	(1 1/8")	33	-	-
1000	1016")	1230	34	-	-	1160	95	1052	10.0	16	20	1110	5	28	M33	(1 1/8")	36	-	-

Notes : Out side diameter of pipe complies with ISO recommendation R64